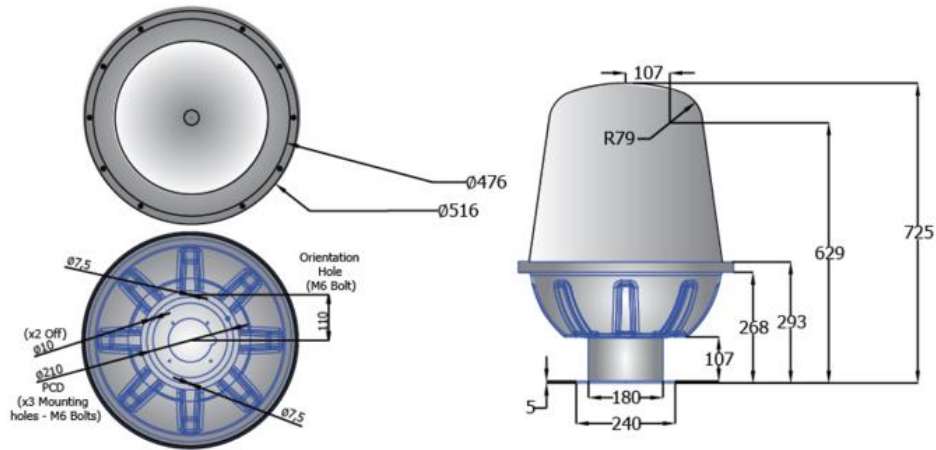


HDR 300 Series Technical Specification



Specification	HDR300 Series
Operating Frequency	76 – 77GHz
Range Resolution	25cm
Azimuth Beamwidth	0.9°
Measurement Rate	400 per rotation
Elevation Beamwidth (Std / X-Variant)	4° / Spreadbeam
Field of View	360°
Safe Working Distance (from radome)	0cm
Data Connection	Gigabit Ethernet
Power Requirements	18 Watts @ 24Vdc
Weight	21Kg
Mounting Height	1.5-6m
Operating Temperature	-20°C to +60°C
Camouflage Option	On request
Environmental	IP 67
Compliance	CE Marked EN 301 091-2V1.3.2 EN301 489-3V1.4.1 EN301 489-3V1.9.2 IEC 60950-1 IEC 60950-22

HDR 300 Series Technical Specification

HDR300 Models

Specification	HDR311	HDR321	HDR331
Indicative Range	1250m	2000m	3000m
Update rate	1 Hz	1 Hz	1 Hz

Contact Info

NAVTECH Radar Ltd.

Address:

**Navtech Radar Ltd,
Home Farm,
Ardington,
Wantage,
Oxfordshire,
OX12 8PD,
United Kingdom.**

Phone: +44 (0)1235 832 419

Email: sales@navtechradar.com